

## WARRANTY STATEMENT

---

During the applicable warranty period, any Total Protection Solutions™ surge protector device which fails due to defect in materials, workmanship, or any electrical anomaly, including lightning, shall be repaired or replaced at TPS's discretion without charge. In the event of a return the device must be shipped FOB TPS place of business within the applicable warranty period. The applicable warranty period for the TPS surge protective device is outlined below in the Warranty Period section. The warranty period for any repaired devices or replacement devices will be only the remaining portions of the original limited warranty.

A Return Material Authorization (RMA) number must be obtained from the Company's Customer Service department before returning any Products.

The Company shall have no liability under this warranty for problems or defects directly or indirectly caused by misuse of the Product, alteration of the Product (including removal of any warning labels), accidents, improper installation, application, operation or improper repair of the Product.

THIS WARRANTY REPRESENTS THE ENTIRE WARRANTY OF THE COMPANY. ALL OTHER WARRANTIES EXPRESS OR IMPLIED, ORAL OR WRITTEN, INCLUDING, BUT NOT LIMITED TO, THE WARRANTIES OF MERCHANT ABILITY AND FITNESS FOR A PARTICULAR PURPOSE ARE HEREBY DISCLAIMED.

The liability of the Company, at its sole option, under this warranty is expressly limited to the replacement or repair of the defective part thereof. IN NO EVENT SHALL THE COMPANY BE LIABLE OR RESPONSIBLE FOR SPECIAL, INCIDENTAL, OR CONSEQUENTIAL DAMAGES OF ANY KIND OR CHARACTER, NOR SHALL ITS LIABILITY EVER EXCEED THE PURCHASE PRICE PAID TO COMPANY FOR SUCH DEFECTIVE PRODUCT.

This warranty is not transferable and may only be enforced by the original purchaser. Claims under this warranty must be submitted to Total Protection Solutions, LLC. within thirty (30) days of discovery of any suspected product defect.

### Warranty Period

TK-CT2-CAM-BNC

Ten Years Unlimited Free Replacement

## SAVE THESE INSTRUCTIONS

---

Note: If devices are received damaged, notify the shipping company immediately. Retain containers and packing materials for inspection.

Total Protection Solutions, LLC.  
4366 L.B. McLeod Rd., Orlando, FL 32811  
TEL:800-604-9980 www.SurgePack.com



# ComTrack™

---

## Surge Protection Device

---

### ComTrack Low Voltage Units

TK-CT2-CAM-BNC

### Installation Operation and Maintenance Manual

## CAUTION - IMPORTANT SAFETY INSTRUCTIONS

1. Never install communication wiring during a lightning storm.
2. The protectors are intended for use only on CCTV Signal Lines. The communication loop circuits shall not be exposed to accidental contact with electric light or power conductors, aerial or buried.
3. The protectors shall be installed inside a building or weatherproof enclosure.
4. Read and understand all instructions prior to installation and operation.

## INSTALLATION

The **CAM** device is easy to install. The following instructions clearly explain each step:

**NOTE:** Make sure you follow the installation instructions exactly; if the suppressor is improperly installed, the current limiting feature could be rendered inoperable.

### **CAM Device:**

1. Connect one side of the **CAM** product to your equipment's I/O port.
2. Connect your incoming (unprotected) cable to the other side of the **CAM** product.
3. Additional Grounding is not necessary; however, a ground wire can be attached from the unit's mounting bracket to an available ground as required. Bracket must be attached to the unit. (See Grounding Instructions below)

**NOTE:** If you have any questions as to how your equipment is grounded, consult the manufacturer's user manual(s).

## GROUNDING

If a supplemental ground is used it must be connected to the ground reference used by the system being protected. In some environments this grounding point may be the ground bar in the AC power panel. Ground leads longer than 12" are not recommended. Grounding is accomplished via the shield of the cables and the device. A separate ground can be wired from mounting bracket to an acceptable ground location.

**NOTE:** It is always best to test grounds to verify their existence before relying on them to protect sensitive equipment.

### **PERFORMANCE NOTE**

When using a supplemental grounding wire it must be as short as practically possible. Minimize length to the centimeter/inch and use a minimum of No. 14 AWG.

### **INDEPENDENT GROUNDS**

The surge protection device must be connected to the same ground reference point as AC ground.

## MOUNTING INFORMATION

The CAM Series is offered in a single case style. Models are provided with a universal mounting bracket which allows for screw down or din rail mounting to a standard DIN 35 Rail.

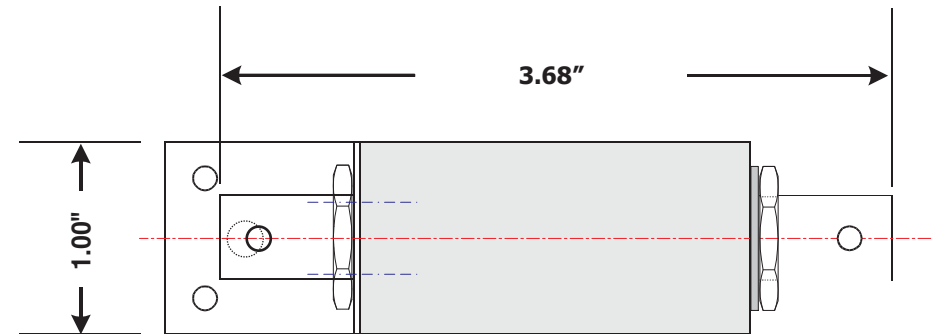
### **BNC Connectors**

#### **Installation of Mounting Bracket:**

1. Remove a securing nut from one of the connectors.
2. Remove outer washer.
3. Place the mounting bracket over the connector.
4. Replace the securing nut and tighten.
5. Optional - Reverse the mounting bracket for use with optional din rail clip.

#### **Case K (tubular) overall lengths -**

BNC connector units: Short (75Volt) Units 2.9 inches  
Long (all other Voltages) 3.7 inches



## WARNING

**NOTE:** The protected device/equipment should also have AC protection because it is still vulnerable to transients on or from the power lines. Omitting AC protection poses a continued threat of failures at the communication interface.